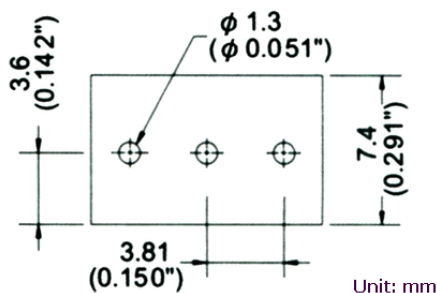
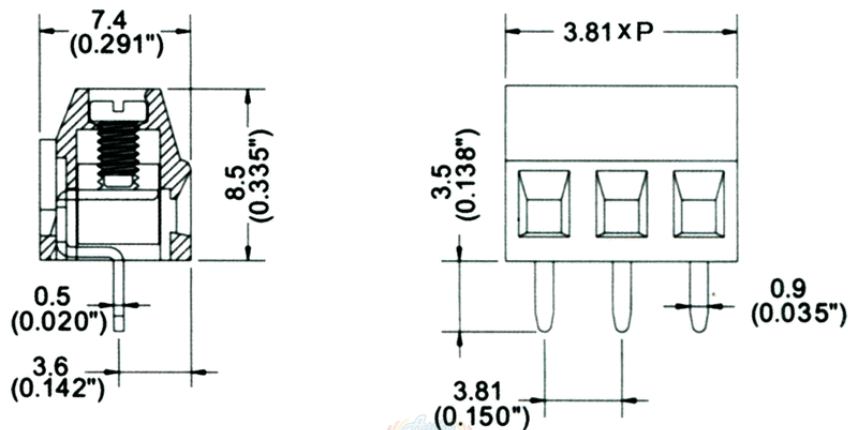
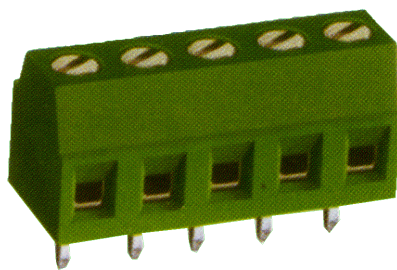


CBP2-HC381

Made in Taiwan

Electrical Rating	10A 300VAC
Housing Material	Polyamide 66, Green
Screw	M2, Steel, Nickel Plated
Wire Cage	Brass, 0.6t, Nickel Plated
Solder Pin	Brass, 0.5t, Tin Plated
Working Temperature	-40°C to +105°C
Insulation withstand Voltage	AC2000V at 1 min
Insulation resistance	500MΩ or more at DC 500V
Wire Range	26~16 AWG
Max. Torque Value	2kg/cm
Number of Poles	2P ~ 16P
Pitch (terminal to terminal)	3.81mm

Unit : mm



Unit: mm