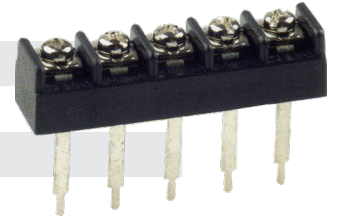


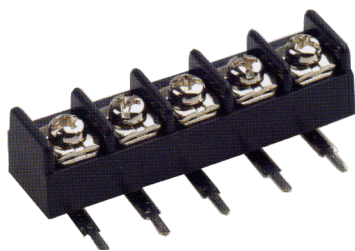
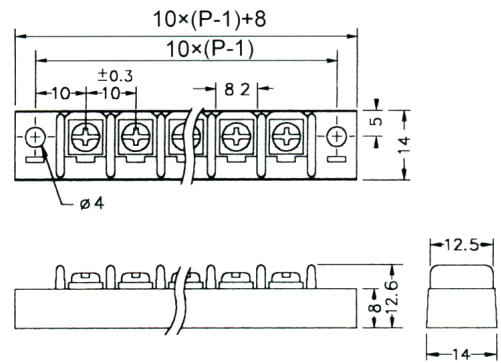
CBP10

Made in Taiwan

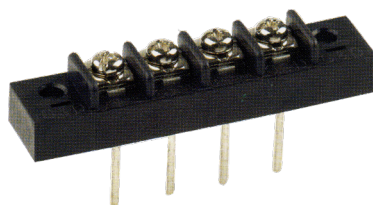
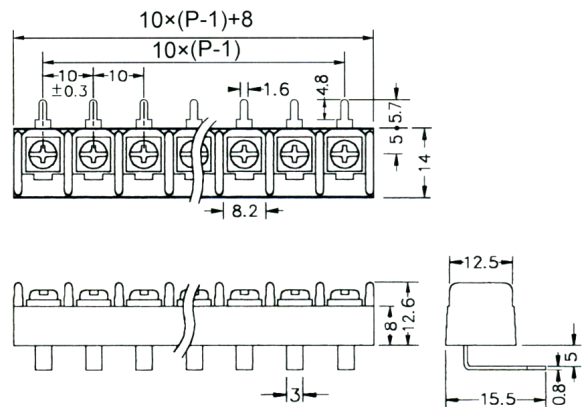
Electrical Rating	15A 300VAC
Housing Material	Plastic NYLON 66, Black (UL 94V-0)
Terminal	Brass, 0.8t Tin Plated
Screw	Steel, M3, Nickel Plated
Working Temperature	-40°C to +105°C
Insulation withstand Voltage	AC2000V at 1 min
Insulation resistance	500MΩ or more at DC 500V
Wire Range	22~12 AWG
Max. Torque Value	10Kg/cm
Number of Poles	2P~28P
Pitch (terminal to terminal)	10mm



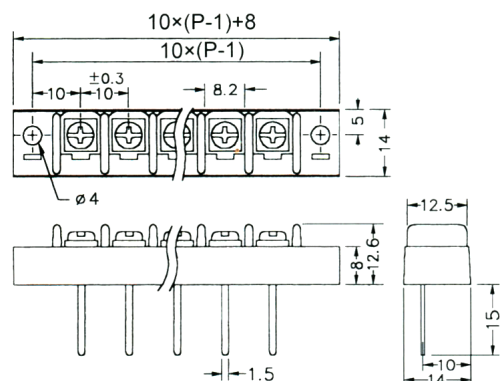
CBP10-01

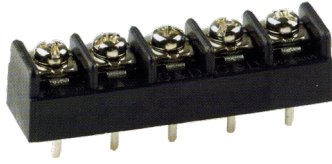


CBP10-02

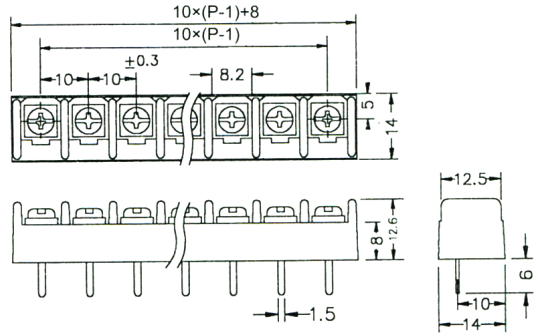


CBP10-03

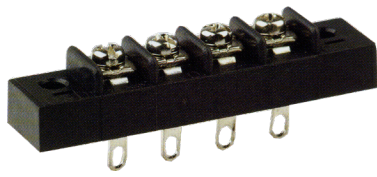




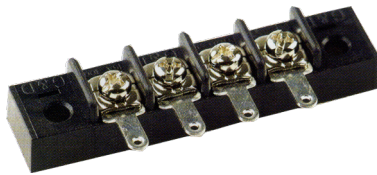
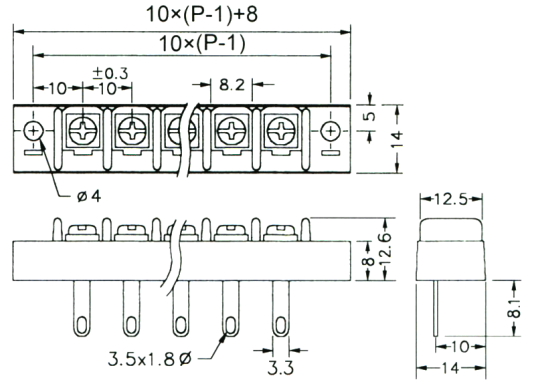
CBP10-04



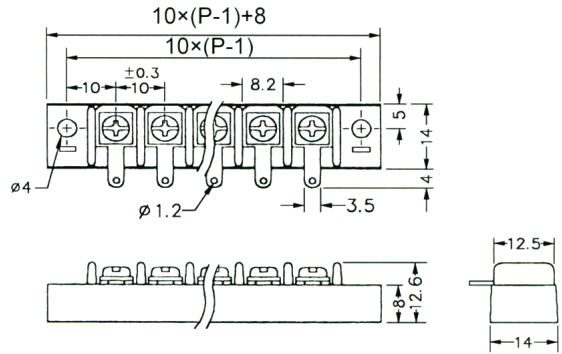
Unit : mm



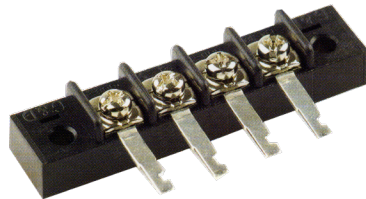
CBP10-05



CBP10-07



Unit : mm



CBP10-08

