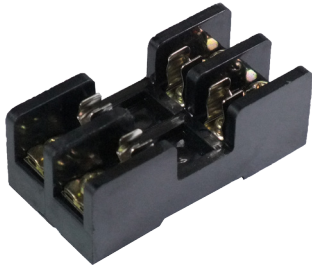
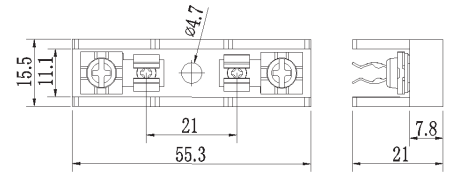


1P Fuse blocks

CF1-1PA

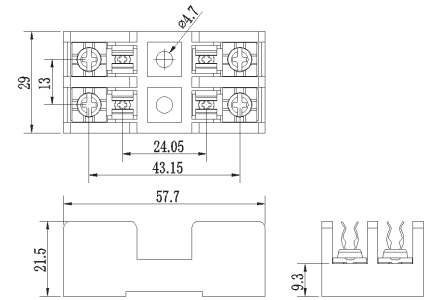
Electrical Rating	10A, 250V
Housing Material	Phenolic, Black
Poles	1 Pole



2P Fuse blocks

CF1-2PA

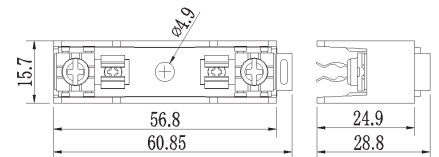
Electrical Rating	10A, 250V
Housing Material	Phenolic, Black
Poles	2 Poles



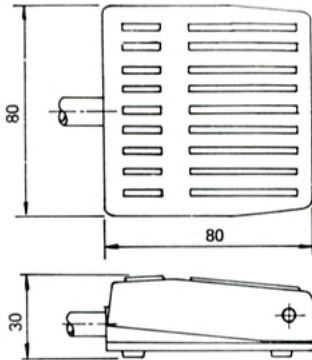
1P Din Rail Fuse blocks

CF2-1PA

Electrical Rating	10A, 250V
Housing Material	PC, Black
Poles	1 Pole



Foot Switch



Mmdel Number	CN1
Electrical Rating	10A 250VAC
Contact	1A1B
Dimension	80mm x 80mm x H30mm
Color	Gray, Black
Cover Material	ABS
Cable Specifications	<ul style="list-style-type: none"> • CN1-0752: PVC 0.75mm² 2 core cable • CN1-0753: PVC 0.75mm² 3 core cable • CN1-0502: PVC 0.5mm² 2 core cable • CN1-0503: PVC 0.5mm² 3 core cable • OEM