

CBP1-381 Pluggable Terminal Blocks

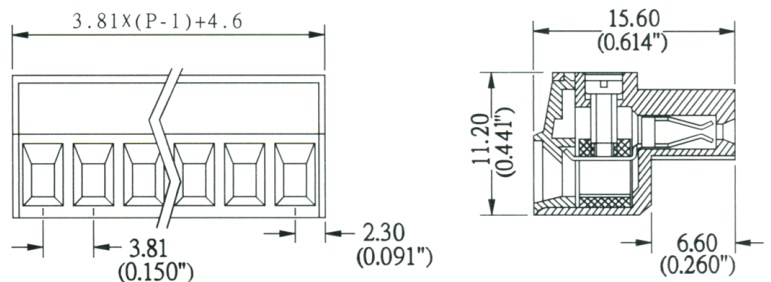
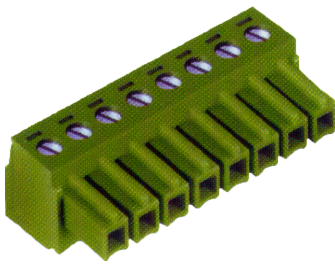
Pitch : 3.81mm

Poles : 2P~16P

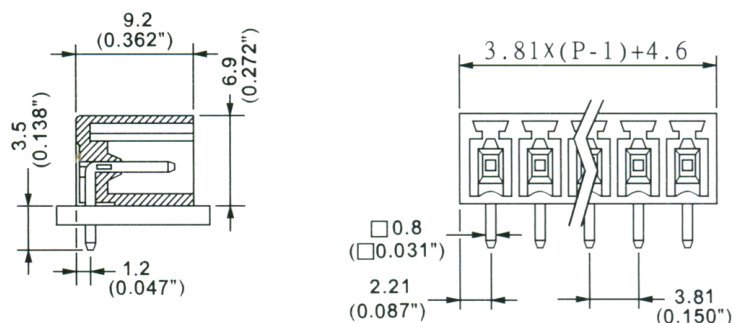
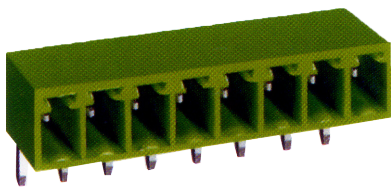
Electrical Rating	10A 300VAC
Housing Material	Polyamide 66, Green
Contact	Phosphor Bronze, 0.3t, Nickel Plated
Cage clamp	Brass, 0.7t, Nickel Plated
Screw	M2.0, Steel, Zine Plated
Solder Pin	0.8mm Brass, Tin Plated
Working Temperature	-40°C to +105°C
Insulation withstand Voltage	AC2000V/min
Insulation resistance	500MΩ or more at DC 500V
Wire Range	26~16 AWG
Screw Torque Value	3Kg/cm

Unit : mm

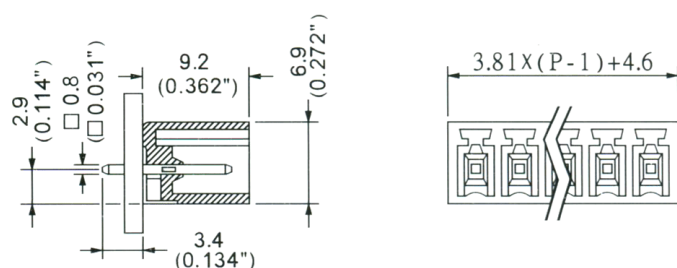
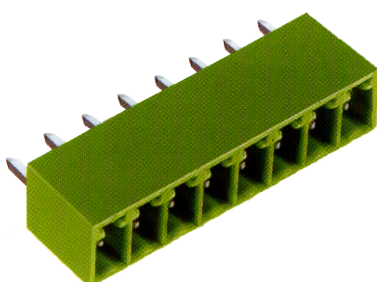
CBP1-381K



CBP1-381R

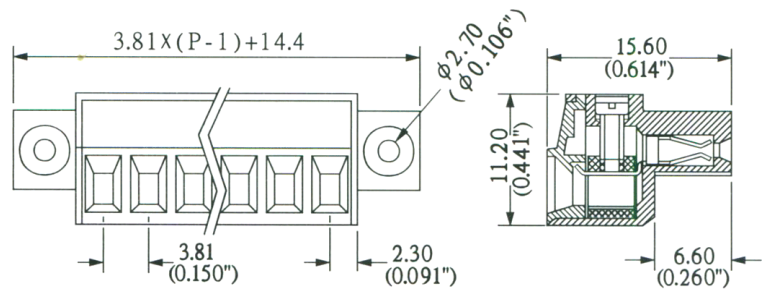
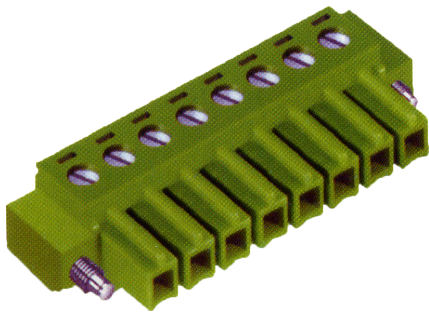


CBP1-381V



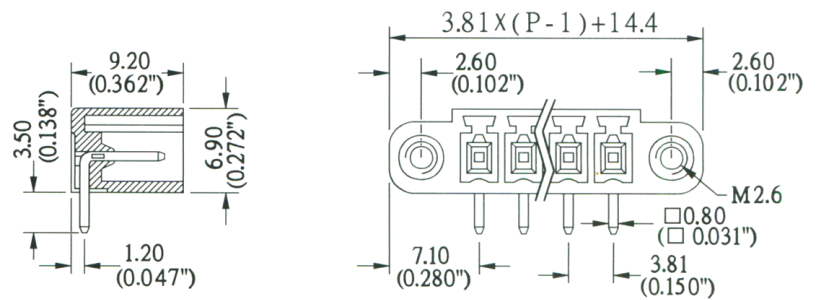
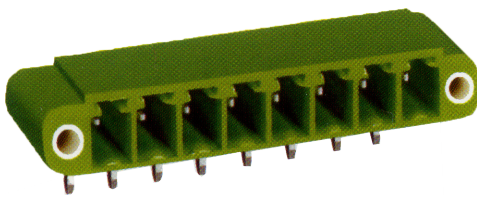
Unit : mm

CBP1-381AK

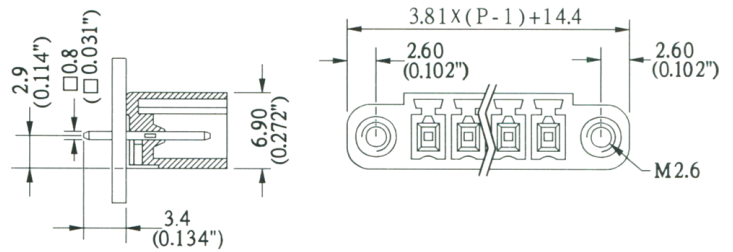
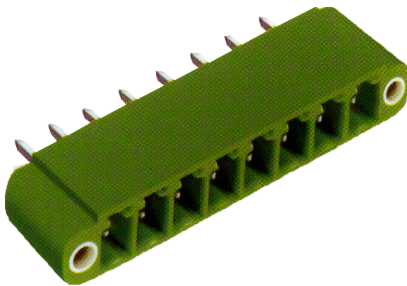


CBP1-381AR

Unit : mm



CBP1-381AV



Unit : mm