

## CBP140 Series Tri-Barrier Strip Terminal Blocks

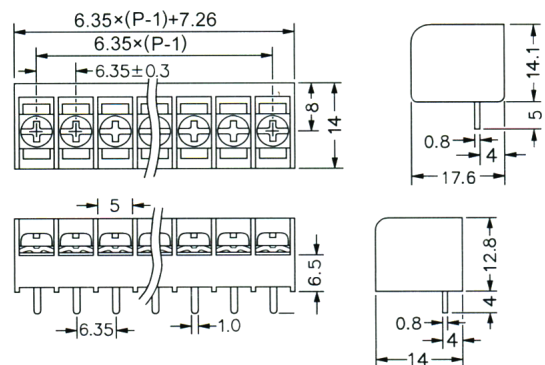
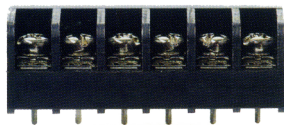
**Pitch : 6.35mm**

**Poles : 2P~32P**

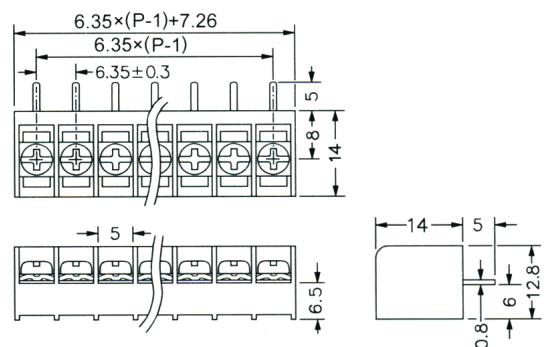
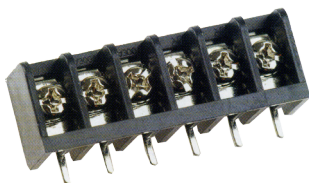
Electrical Rating	10A 300VAC
Housing Material	PA66, Black
Terminal	Brass, 0.8t Tin Plated
Screw	Steel, M3, Nickel Plated
Working Temperature	-40°C to +105°C
Insulation withstand Voltage	AC2000V at 1 min
Insulation resistance	500MΩ or more at DC 500V
Wire Range	22~12 AWG
Max. Torque Value	10Kg/cm

Unit : mm

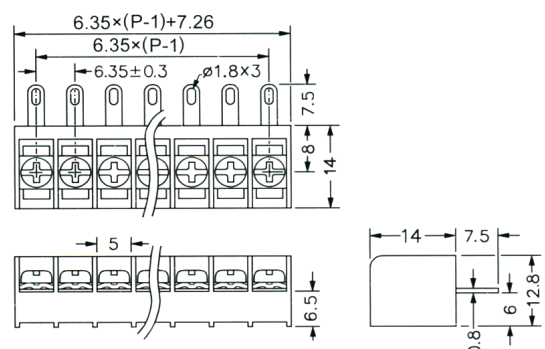
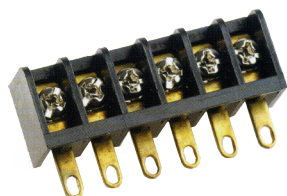
### CBP140-01



### CBP140-02

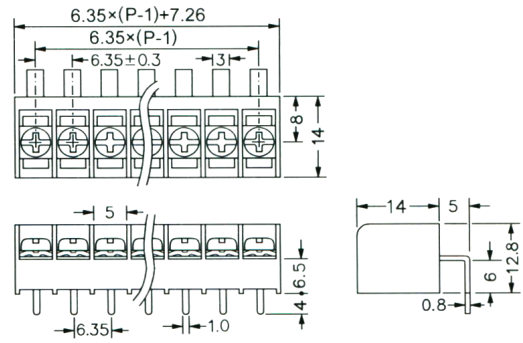
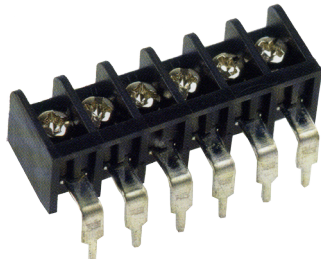


### CBP140-03



Unit : mm

## CBP140-04



Unit : mm