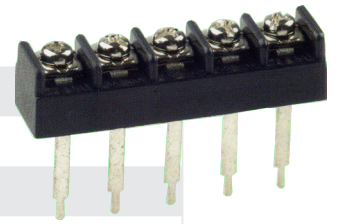


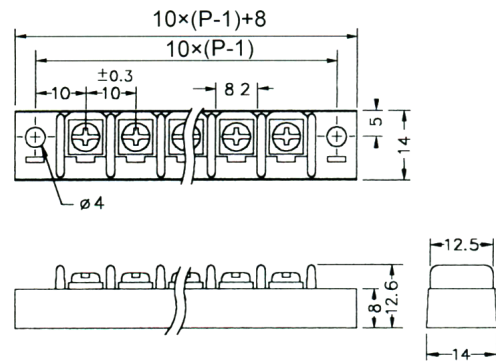
CBP10 Series Barrier Strip Terminal Blocks

Pitch : 10mm	Poles : 2P~28P
Electrical Rating	15A 300VAC
Housing Material	PA66, Black
Terminal	Brass, 0.8t Tin Plated
Screw	Steel, M3, Nickel Plated
Working Temperature	-40°C to +105°C
Insulation withstand Voltage	AC2000V at 1 min
Insulation resistance	500MΩ or more at DC 500V
Wire Range	22~12 AWG
Max. Torque Value	10Kg/cm

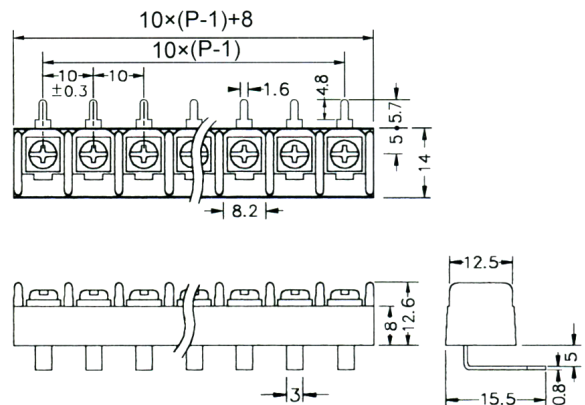
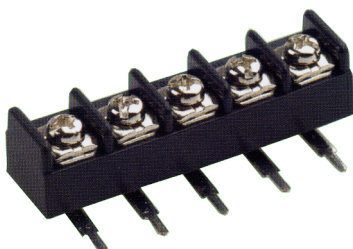


Unit : mm

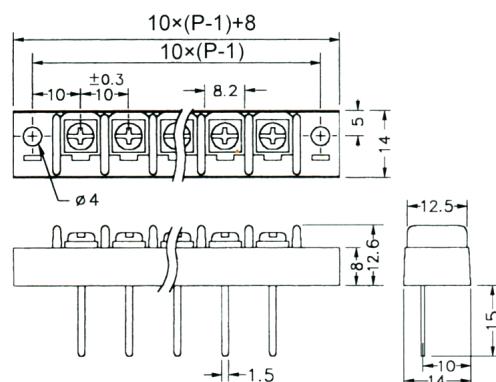
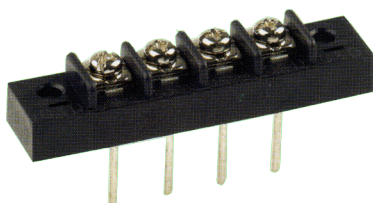
CBP10-01



CBP10-02

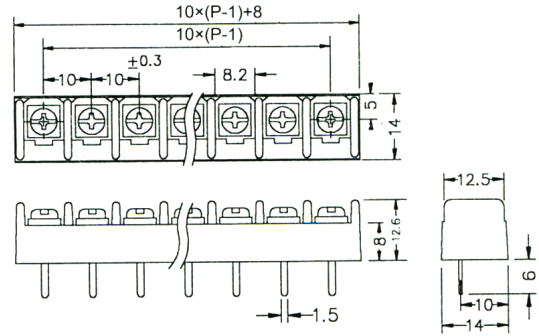
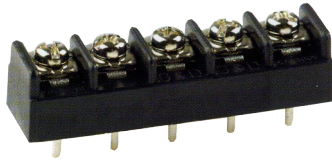


CBP10-03

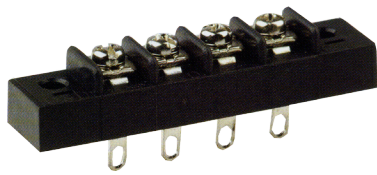


Unit : mm

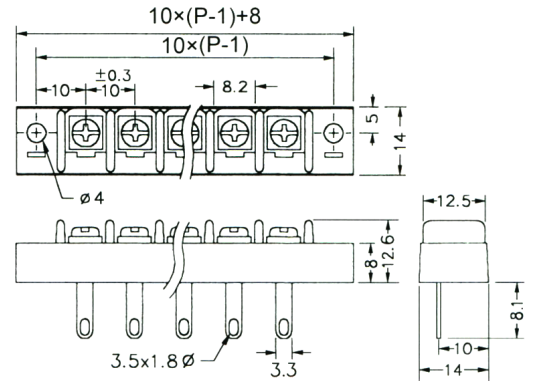
CBP10-04



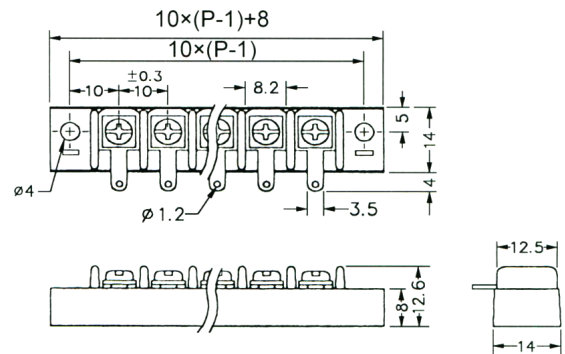
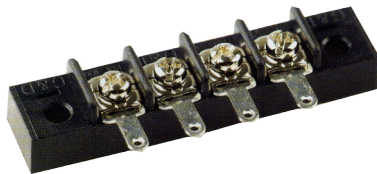
CBP10-05



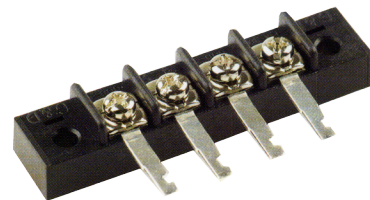
Unit : mm



CBP10-07



CBP10-08



Unit : mm

